



CCS-UCA-MIC

Microphone Pods for CCS-UC-1

- > Set of two Crestron Mercury™ extension microphones
- > Attractive, low-profile design
- > 360 degree pickup
- > 20 ft (6 m) range
- > Mic mute button and indicator
- > Home-run or daisy-chain wiring
- > Two 12 ft (3.7 m) cables included
- > Powered via the CCS-UC-1 base unit^[1]

The CCS-UCA-MIC is a low-profile extension microphone “pod” designed exclusively for use with a Crestron Mercury™ Tabletop Conference System (CCS-UC-1). Up to two mic pods may be connected to a single CCS-UC-1 base unit to extend its pickup range to cover large or long tables. The CCS-UCA-MIC is sold in sets of two. Two 12 ft (3.7 m) cables are included.



When wiring up two mic pods, they may be daisy-chained, or each may be home-run to the base unit, using the cables included. To support one or two mic pods, the base unit must be powered using the [PW-2420RU](#) power pack.^[1]

SPECIFICATIONS

Communications

A²B bus protocol, slave, synchronous data, multichannel I2S/TDM to I2S/TDM

Audio

Microphones: Triple mic array with (3) cardioid electret elements
Pickup Range: 20 ft (6 m) typical, 360°

Buttons & Indicators

Mic Mute: (1) Capacitive button with bi-color LED, button toggles between mute and unmute (affects all system mics), illuminates red when the mic is muted, illuminates green when the mic is unmuted if a USB device is connected to the CCS-UC-1 or a SIP call is active

Connectors

IN: (1) RJ9 4P4C connector, female;
 For connection to the CCS-UC-1 or to the first CCS-UCA-MIC in a daisy chain;
 12 ft (3.7 m) cable included

OUT: (1) RJ9 4P4C connector, female;
 For connection to the second CCS-UCA-MIC in a daisy chain;
 12 ft (3.7 m) cable included

Power

Powered via the CCS-UC-1 through the A²B bus. The CCS-UC-1 must be powered using the [PW-2420RU](#) power pack.^[1]

Environmental

Operational Temperature: 32° to 95° F (0° to 35° C)
Storage Temperature: -4° to 160° F (-20° to 70° C)
Humidity: 5% to 95% RH (non-condensing)

Dimensions

Height: 0.97 in (25 mm)
Width: 3.81 in (97 mm)
Depth: 3.42 in (87 mm)

Weight

6 oz (170 g)

MODELS & ACCESSORIES

Available Models

CCS-UCA-MIC KIT: Microphone Pods for CCS-UC-1, set of two

Notes:

1. The CCS-UC-1 system must be powered using the [PW-2420RU](#) power pack when the CCS-UCA-MIC microphone pods are connected. The [PW-2420RU](#) is included with all CCS-UC-1 packages. The CCS-UC-1 supports a maximum of two mic pods.





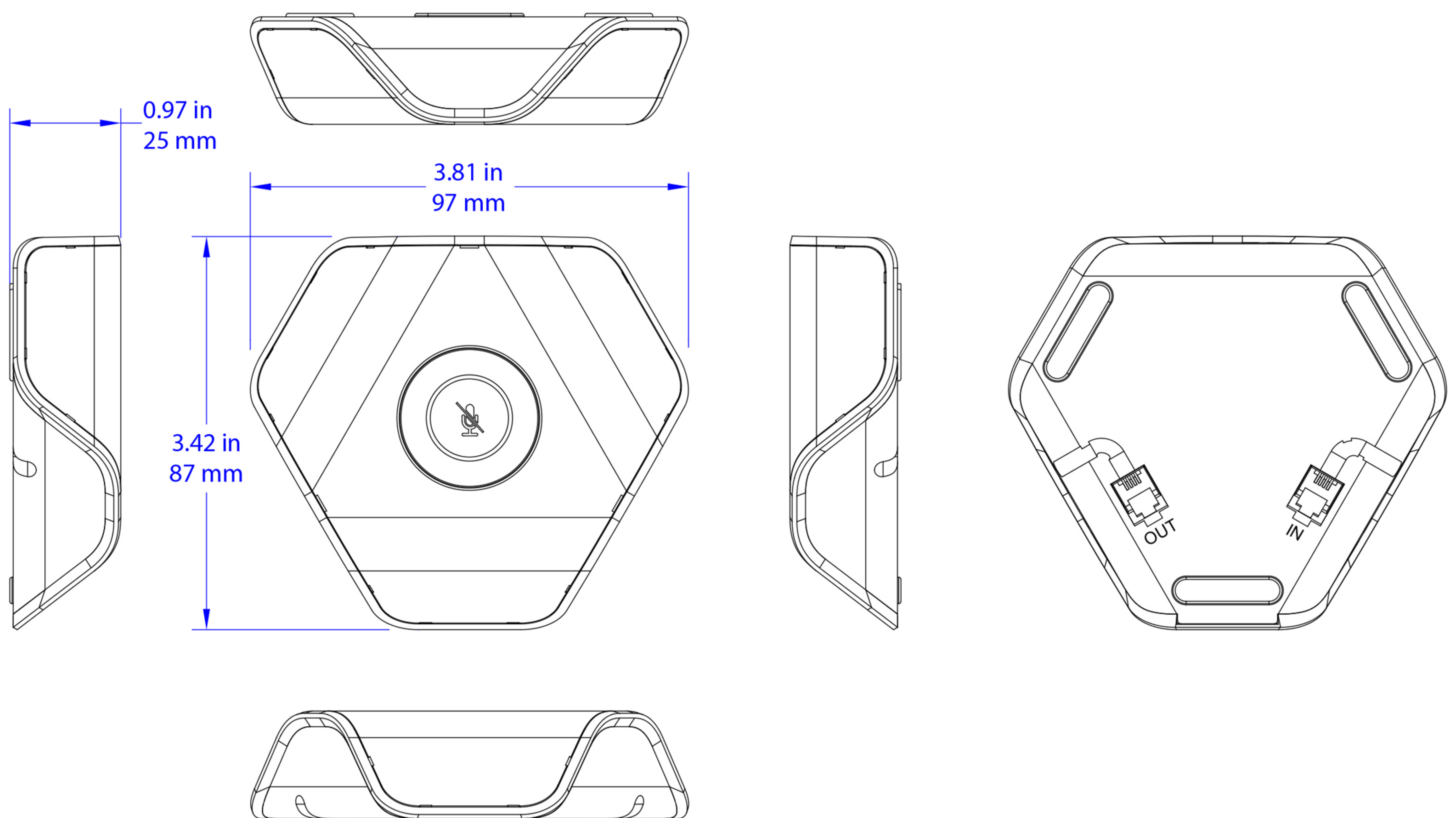
This product may be purchased from an authorized Crestron dealer. To find a dealer, please contact the Crestron sales representative for your area. A list of sales representatives is available online at www.crestron.com/salesreps or by calling 800-237-2041.

This product is covered under the Crestron standard limited warranty for 3 years, except for the touch screen display which is covered for 90 days. Refer to www.crestron.com/warranty for full details.

The specific patents that cover Crestron products are listed online at: patents.crestron.com.

Certain Crestron products contain open source software. For specific information, please visit www.crestron.com/opensource.

Crestron, the Crestron logo, and Crestron Mercury are either trademarks or registered trademarks of Crestron Electronics, Inc. in the United States and/or other countries. Other trademarks, registered trademarks, and trade names may be used in this document to refer to either the entities claiming the marks and names or their products. Crestron disclaims any proprietary interest in the marks and names of others. Crestron is not responsible for errors in typography or photography. Specifications are subject to change without notice.
©2017 Crestron Electronics, Inc.



22 rue Christophe Plantin L-2339 Luxembourg

CONTACT
office@hauser.lu
Tél. : 48.16.60

www.hauser.lu